

ARTICOLO / ITEM

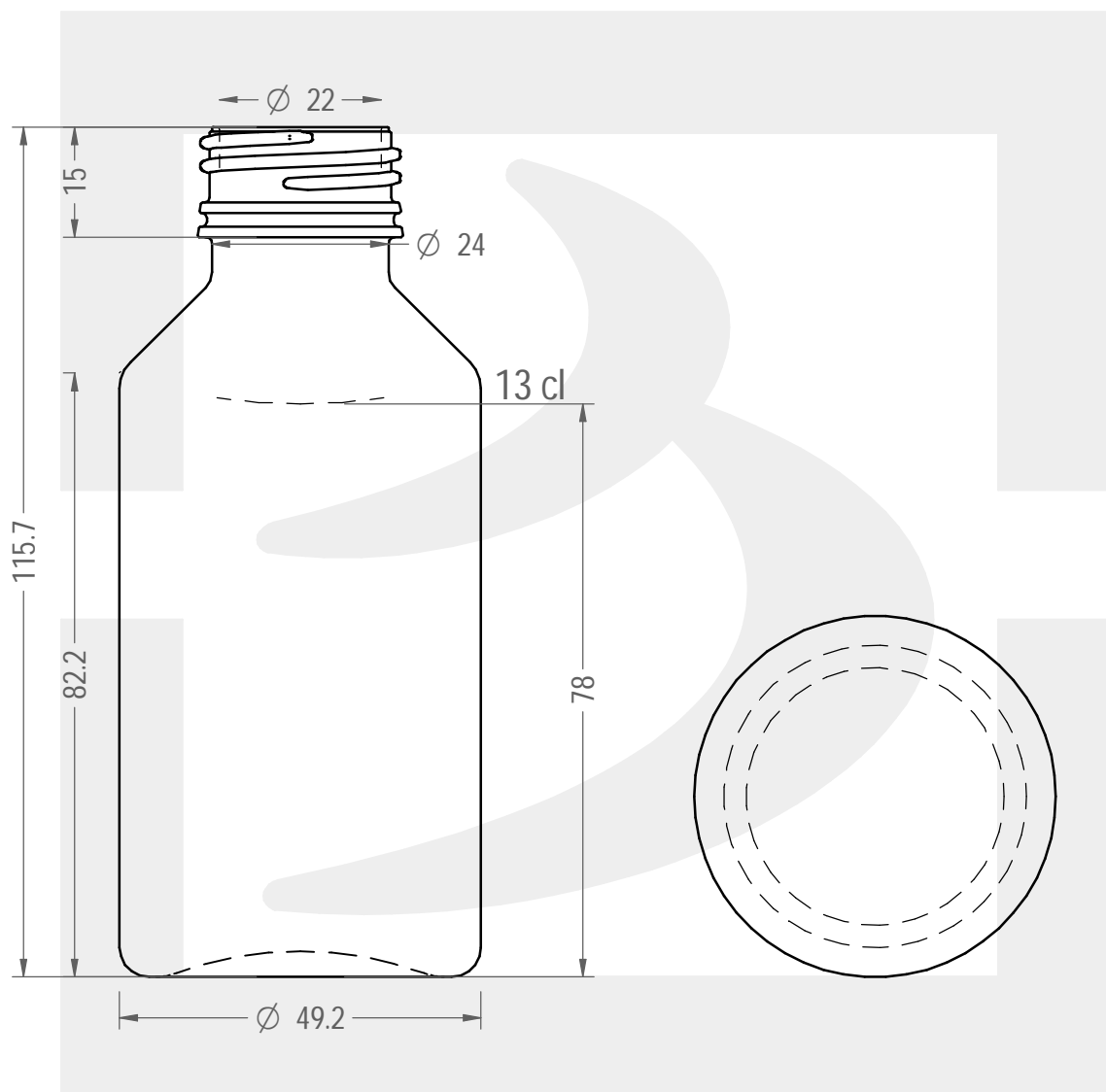
FLACONE ORION 130 P 28 HDPE NAT

Colore :

Color :

 **bruni glass**
a berlin packaging company

www.bruniglass.com



LE QUOTE SONO ESPRESSE IN mm / DIMENSIONS ARE EXPRESSED IN mm

SCALA: 1:1
SCALE:

Capacità R.B. (c.c.) : Brimful cap. (c.c.) :	155	Peso vetro (gr): Glass weight (gr):	18.8
Altezza tot (mm): Total height (mm):	115.7	Bocca: Finish:	PILFER-PROOF
Diametro corpo (mm): Body diameter (mm):	49.2	Min. foro passante (mm): Minimum through bore (mm):	
Resistenza a pressione (bar): Pressure resistance (bar):	-	COD. ARTICOLO / ITEM CODE 29098=	

Data ultimo aggiornamento / Last update: 03/09/2021
Origine / Source: 29098