

ARTICOLO / ITEM

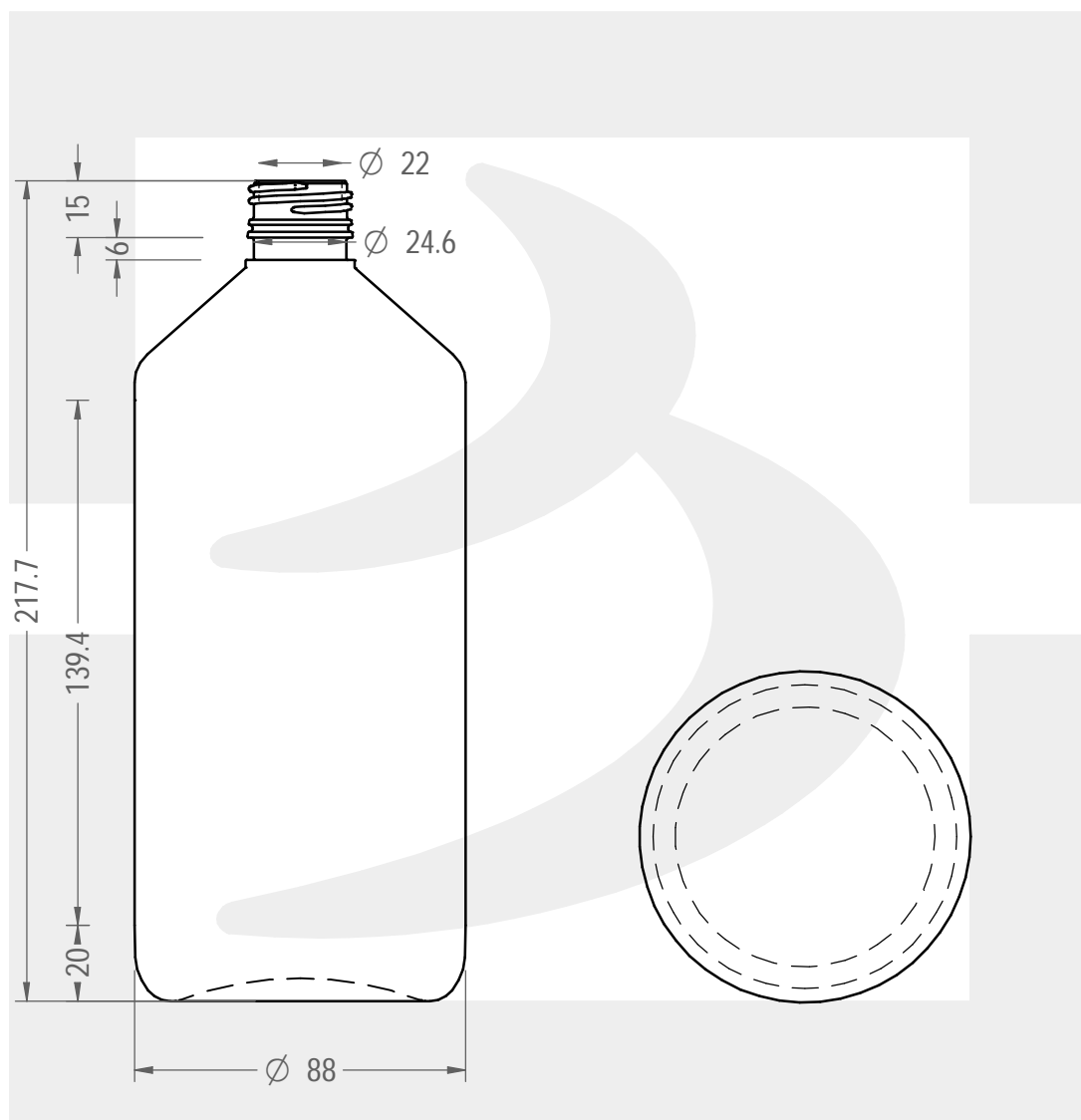
FLACONE ORION 1000 P 28 PET

Colore :

Color :

 **bruni glass**
a berlin packaging company

www.bruniglass.com



LE QUOTE SONO ESPRESSE IN mm / DIMENSIONS ARE EXPRESSED IN mm

SCALA: 1:2
SCALE:

Capacità R.B. (c.c.) :	1054	Peso vetro (gr):	53
Brimful cap. (c.c.):		Glass weight (gr):	
Altezza tot (mm):	217.7	Bocca:	PILFER-PROOF
Total height (mm):		Finish:	
Diametro corpo (mm):	88	Min. foro passante (mm):	
Body diameter (mm):		Minimum through bore (mm):	
Resistenza a pressione (bar):	-	COD. ARTICOLO / ITEM CODE	
Pressure resistance (bar):		29101=	

Data ultimo aggiornamento / Last update: 03/09/2021
Origine / Source: 29099